

Release Notes GC-PowerStation v10.1

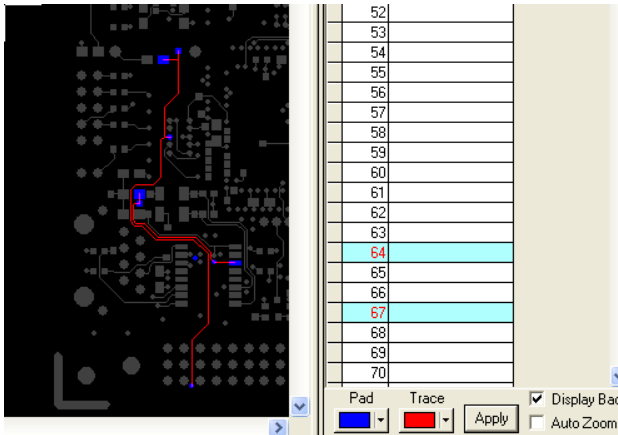
Table of Contents

NEW FEATURES	2
BROWSE NETLIST.....	2
ODB++ NETLIST AND REFERENCE NETLIST LOADED	2
ENHANCED FEATURES	2
IMPROVED NETLIST COMPARE RESULTS	2
NEW GC-BASIC FUNCTION.....	2
ITEMS FIXED SINCE V9.4.2	3

New Features

Browse Netlist

The addition of Browse Netlist allows users to easily see nets graphically travelling through a PCB. The function lists all nets within a job (the netlist either needs to be extracted from the gerber data by a GraphiCode product or imported via ODB++ or DPF data) and allows the highlighting of one or more nets in a user specified color. The user also has the option to display the remaining data on a layer in a background color to better trace the path of the net through a layer or layers.



The above image shows that net 64 and net 67 are highlighted with blue pads and red traces. The background information is displayed (check box is active) and can be seen as a dark grey color. When in the Browse Netlist mode, layer visibility is controlled in the same way as usual with Hide, View and Edit allowing one or more layers to be displayed. This allows for a net or nets to be traced through the entire board. If netnames have been entered (either via GC-PowerPlace or imported from an ODB++ file) then the netname is shown in the list alongside the netnumber.

ODB++ Netlist and Reference Netlist Loaded

Connectivity information is now imported from an ODB++ file if the information is present in the file. Both the net information associated with pads and traces is loaded but also the Reference Net information in the ODB++ file (usually generated from the CAD data) is imported and stored as a top and bottom reference net layers. These reference layers can be used when running the Net Compare function. The net Compare results have been also updated to provide an easier user interface for tracking down differences between two netlists. Assigned CAD net names are also loaded, if present, to provide the fullest picture of the board connectivity possible.

Enhanced Features

Improved Netlist Compare Results

By adapting many of the features of the Browse Netlist enhancement into the Netlist Compare results display, the interface for the user has been made dramatically clearer and easier to use.

New GC-Basic function

We have added a new GC-Basic function to allow the deletion of padlist and tracelist entities. This function provides a method of deleting information directly from the padlist or tracelist iwithin GC-Basic and rapidly improves execution times for certain scripts.

Items fixed since v9.4.2

This list is customer reported issues fixed for this release.

- #4427 Fixed issue pertaining to rotation at 45 degrees of nested polygons. Problem was related to normal precision draw mode only.
- #4415 The property ISONTHISPHYSICALLAYER now behaves as expected in both the application (compiled code) and the debugger.
- #4412 Fixed a DPF export issue. The data construction was incorrectly interpreted as requiring two Contour features rather than one.
- #4407 Fixed an issue in Speedline output that caused Single Inline Packages to be incorrectly handled at certain rotations.
- #4406 Fixed netlist failure due to multiple coincident polygons created to form plane fill area.
- #4403 Netlist failure fixed caused by same data construction as in Track #4406.
- #4402 Create a COM object access methodology via GC-Basic.
- #4401 Netlist failure resolved due to fix handling coincident polygon lines.
- #4400 Fixed crash loading ODB++ file. The ODB++ file specified an angle greater than 360 degrees. Result now displayed as per Valor Viewer.
- #4399 Updated polygon import process from Gerber data to produce the correct result. Previously the image was being displayed incorrectly.

